




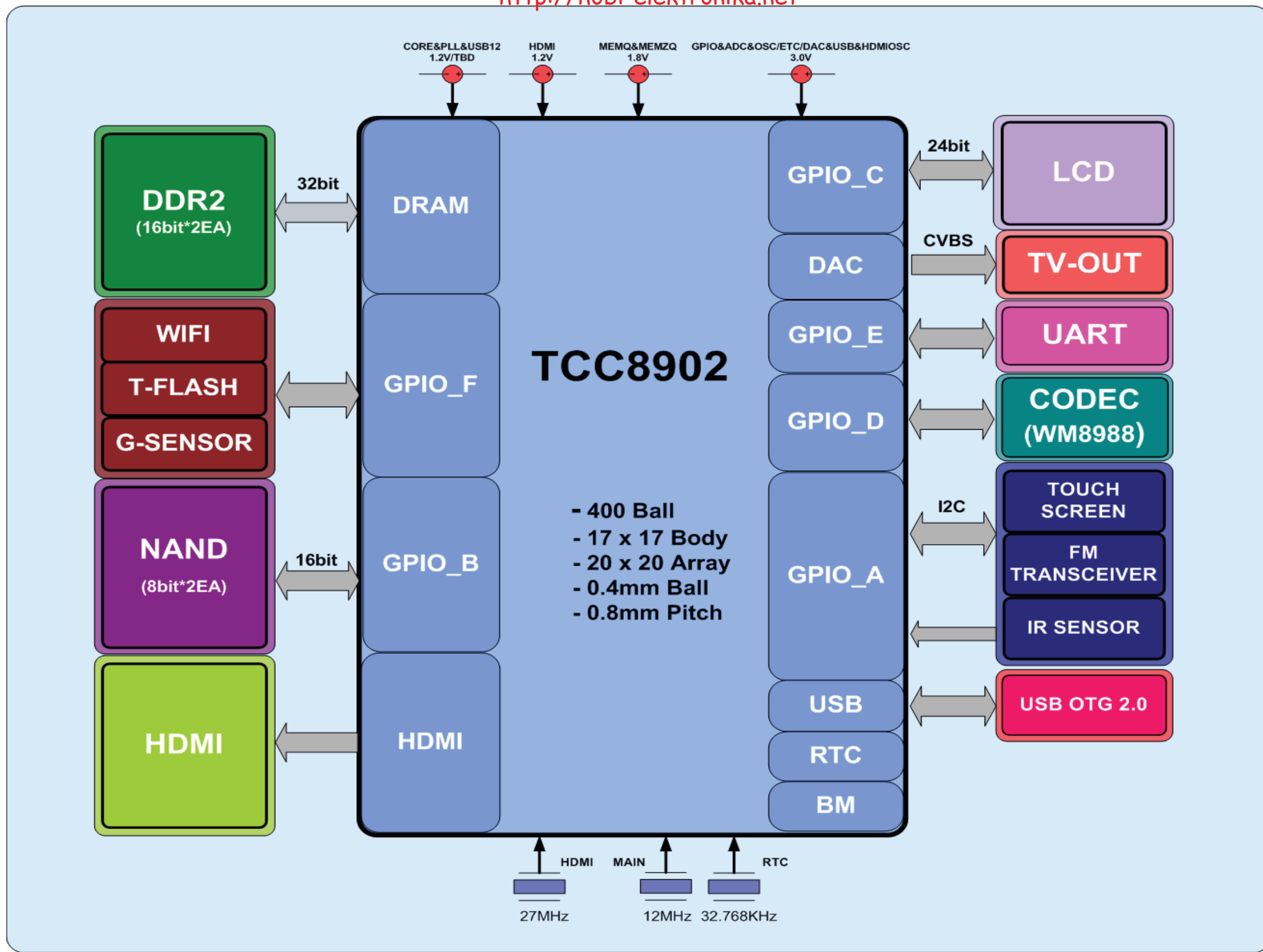


M57TE V1.4

Rev.	Date	Description	Page	Remark
V0.1	2010.03.31	- Initial Release		
V1.0	2010.04.29	- G-Sensor Addition - Power chips change	5 9	Green Box 
V1.1	2010.05.10	- Touch screen panel power addition - FM Transcevier change - Audio AMP power change - Power control component change	6 7 7 9	Orange Box 
V1.2	2010.07.05	- LCD VSYNC interrumput addition - Pull up resistor addition of T-Flash CMD - NAND voltage dector IC addtion for NAND broken prevention - P/D resistor addition of LCD backlight enable pin - LHPOUT and RHPOUT exchange of Codec and Amp - G-sensor I/F change with I2C - Core power voltage step change	4 5 5 6 7 9 9	Pink Box 
V1.3	2010.11.01	- Optimization of RTC_RST# circuit - Optimization of Core power circuit - Core voltage resistor value change for 1GHz	4 9 9	Lavender Box 
V1.4	2011.03.04	- RTC change to use mode - Power source change of RTC for stable	3 9	Sky-blue Box 

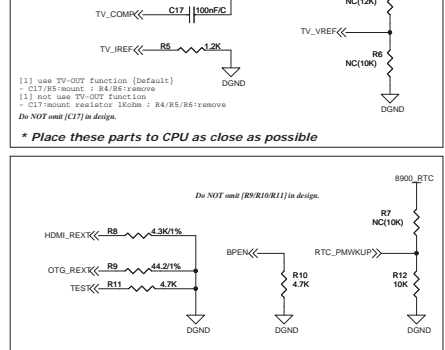
[These schematics are for the Demo Board and are subject to change for any improvement]

TELECHIPS.,INC



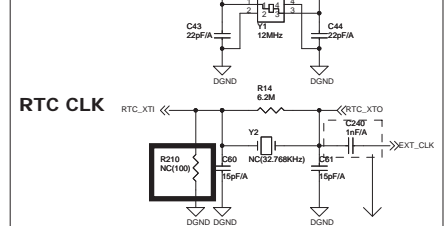
Title		
M57TE		
Size	Document Number	Rev
A3	BLOCK DIAGRAM	V1.4
Date:	Friday, March 04, 2011	Sheet 2 of 9

TV-OUT

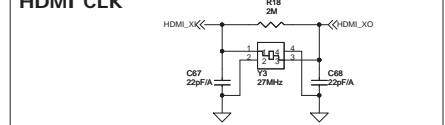


* Place these parts to CPU as close as possible

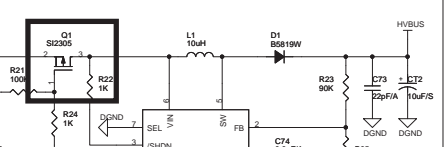
MAIN CLK



RTC CLK

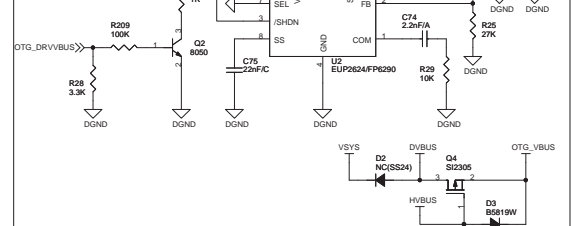


HDMI CLK

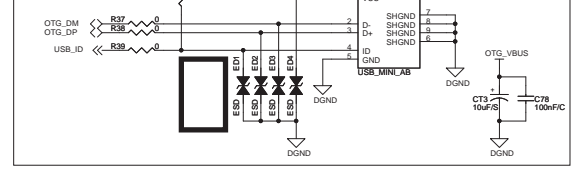


* Place these parts to CPU as close as possible

USB OTG



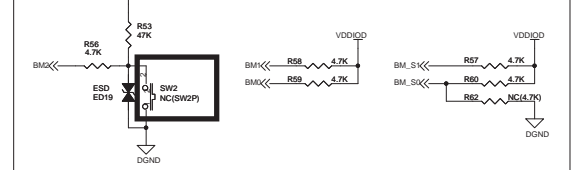
USB



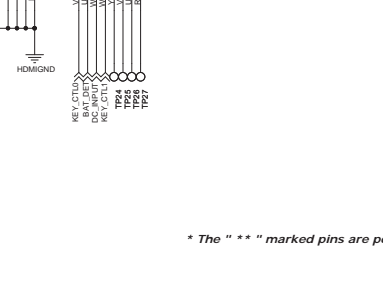
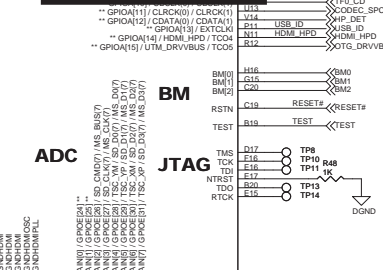
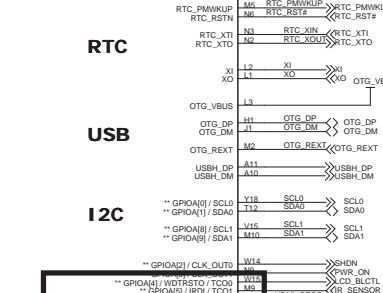
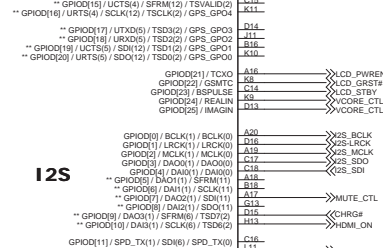
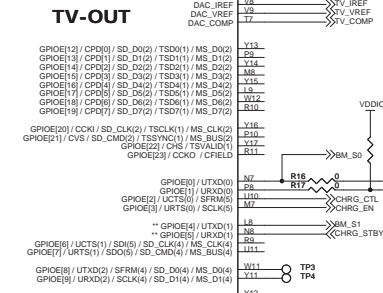
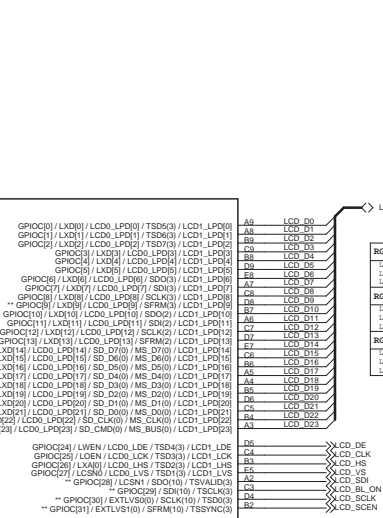
BM



BOOT MODE



M57E TCC8902 MAIN

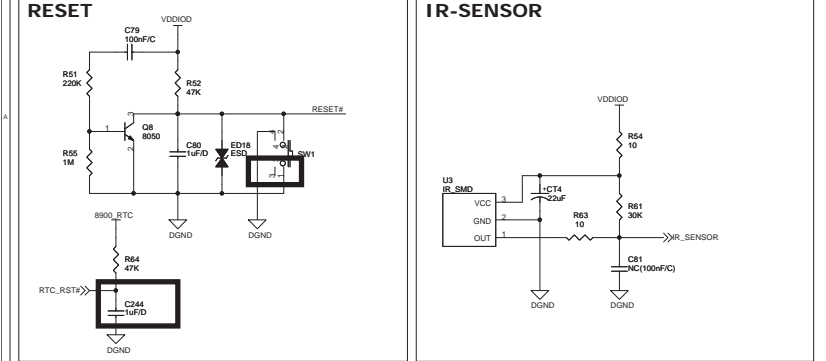
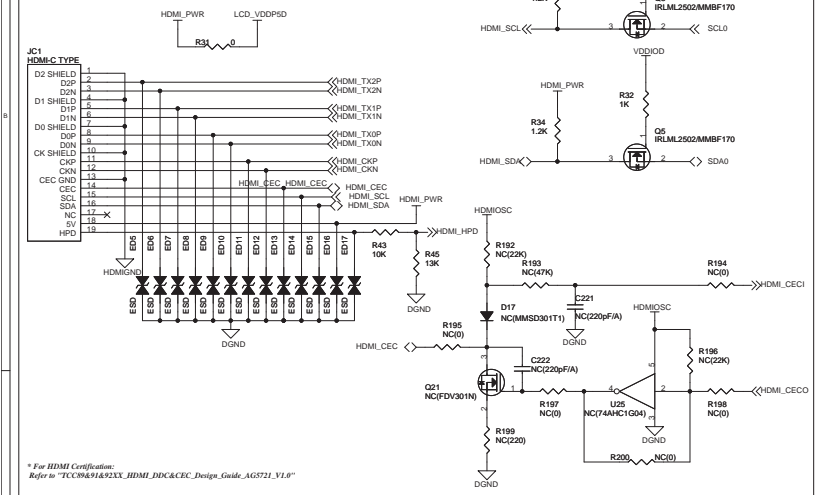
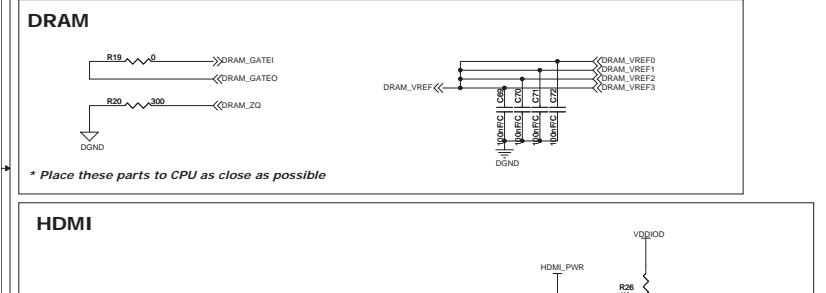
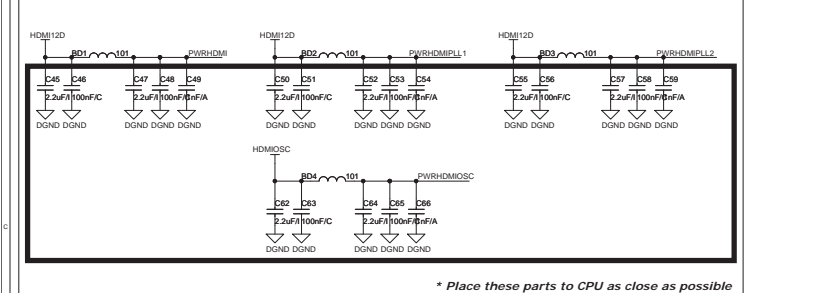
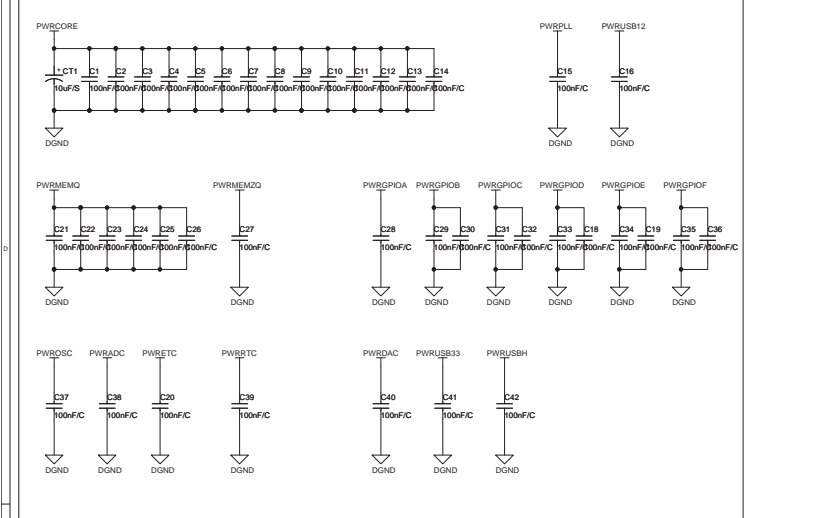
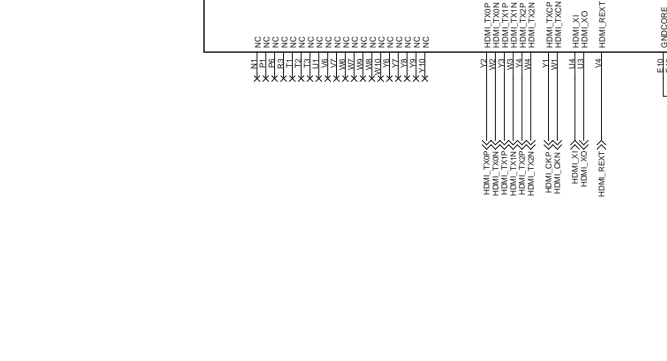
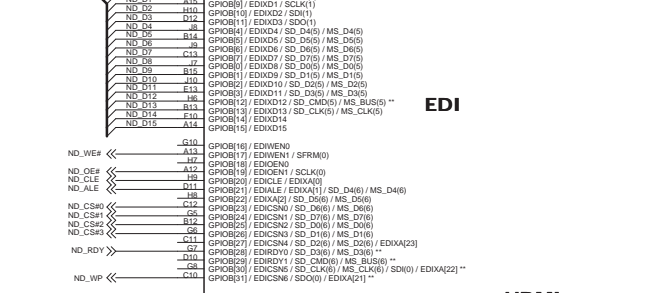
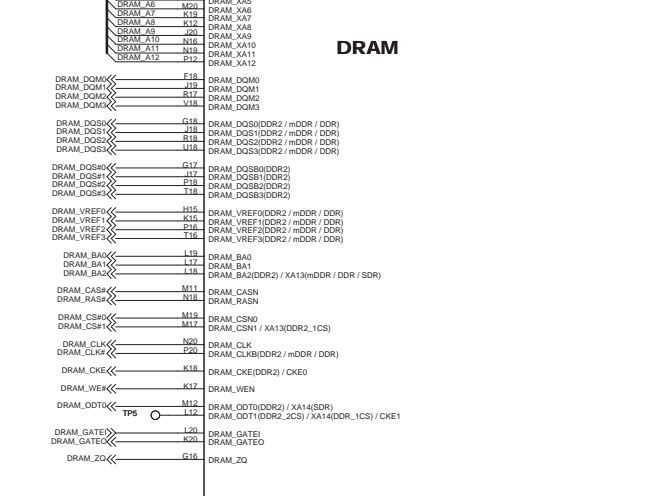
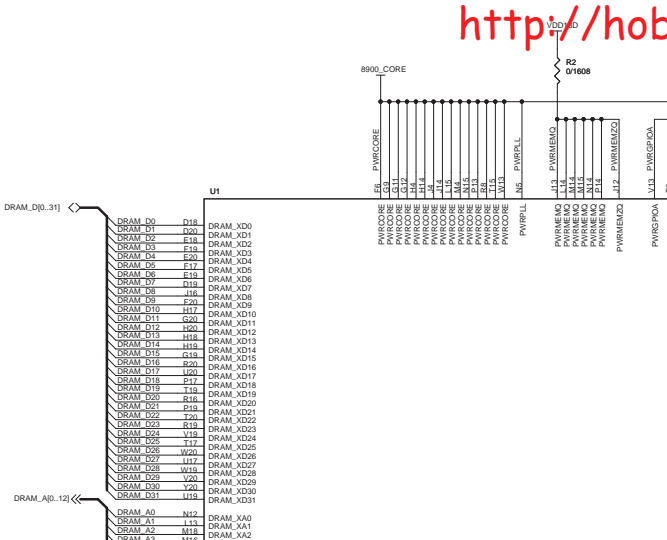
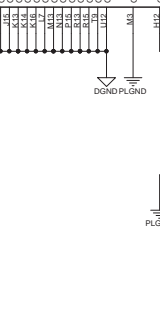


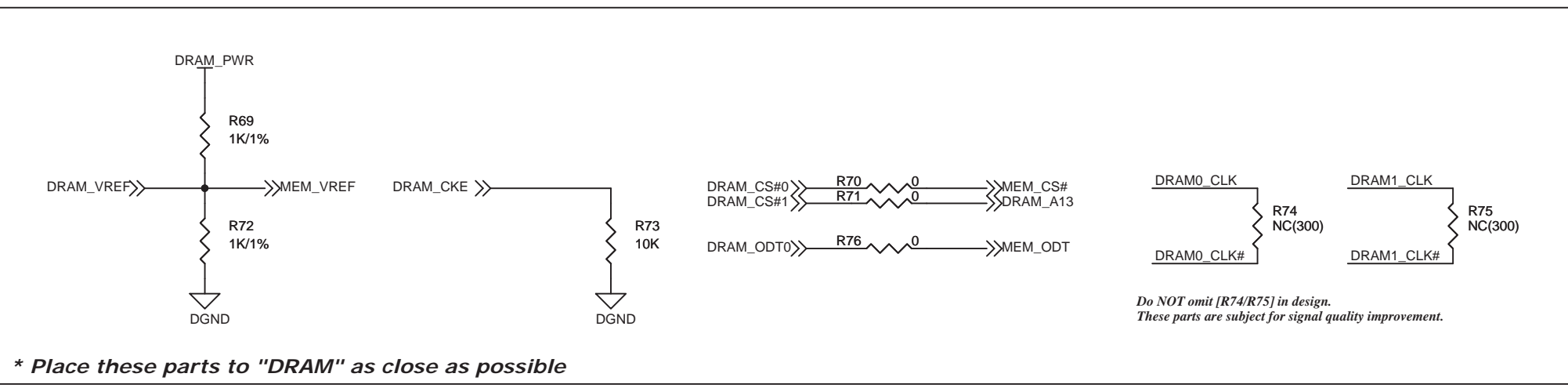
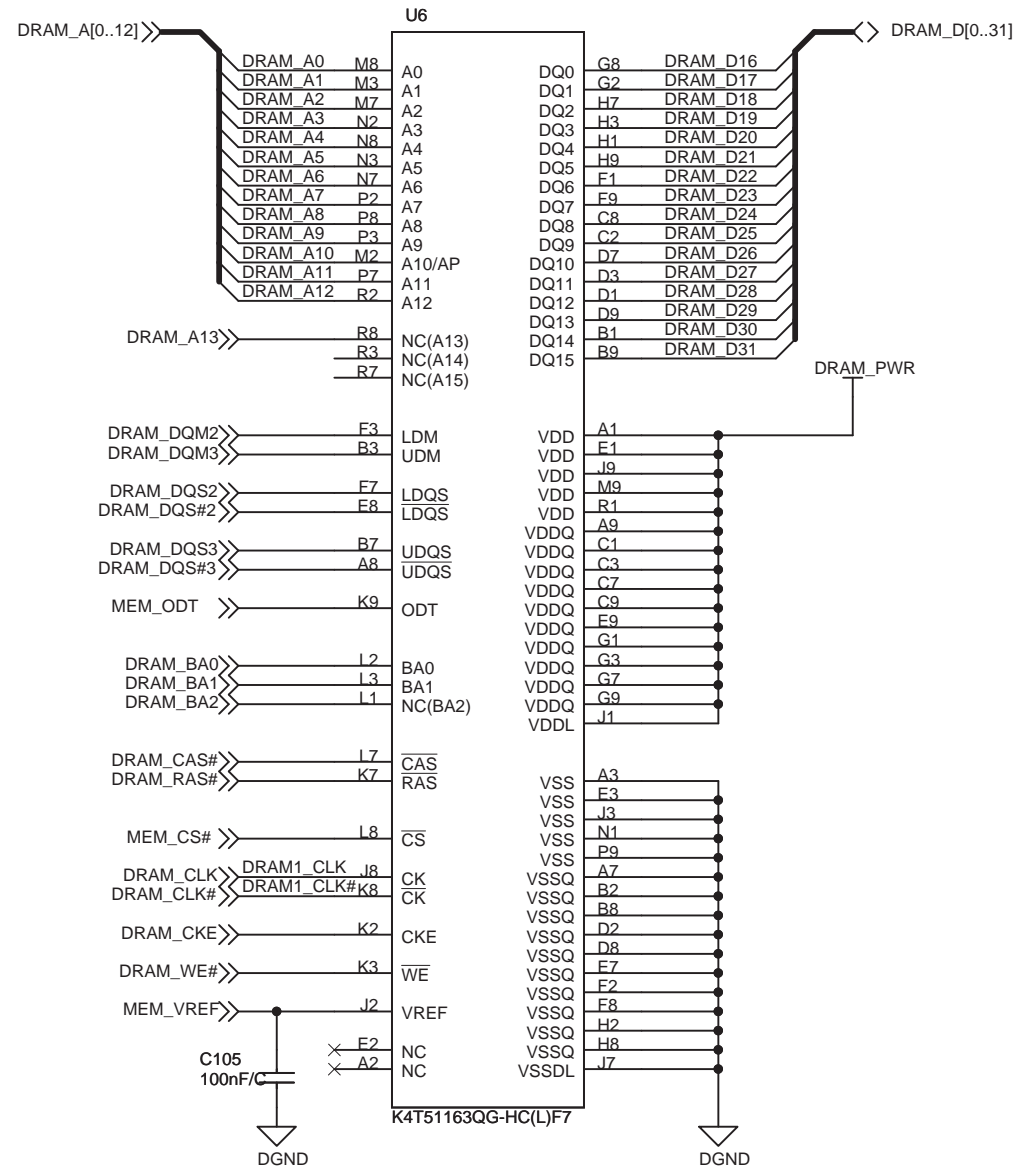
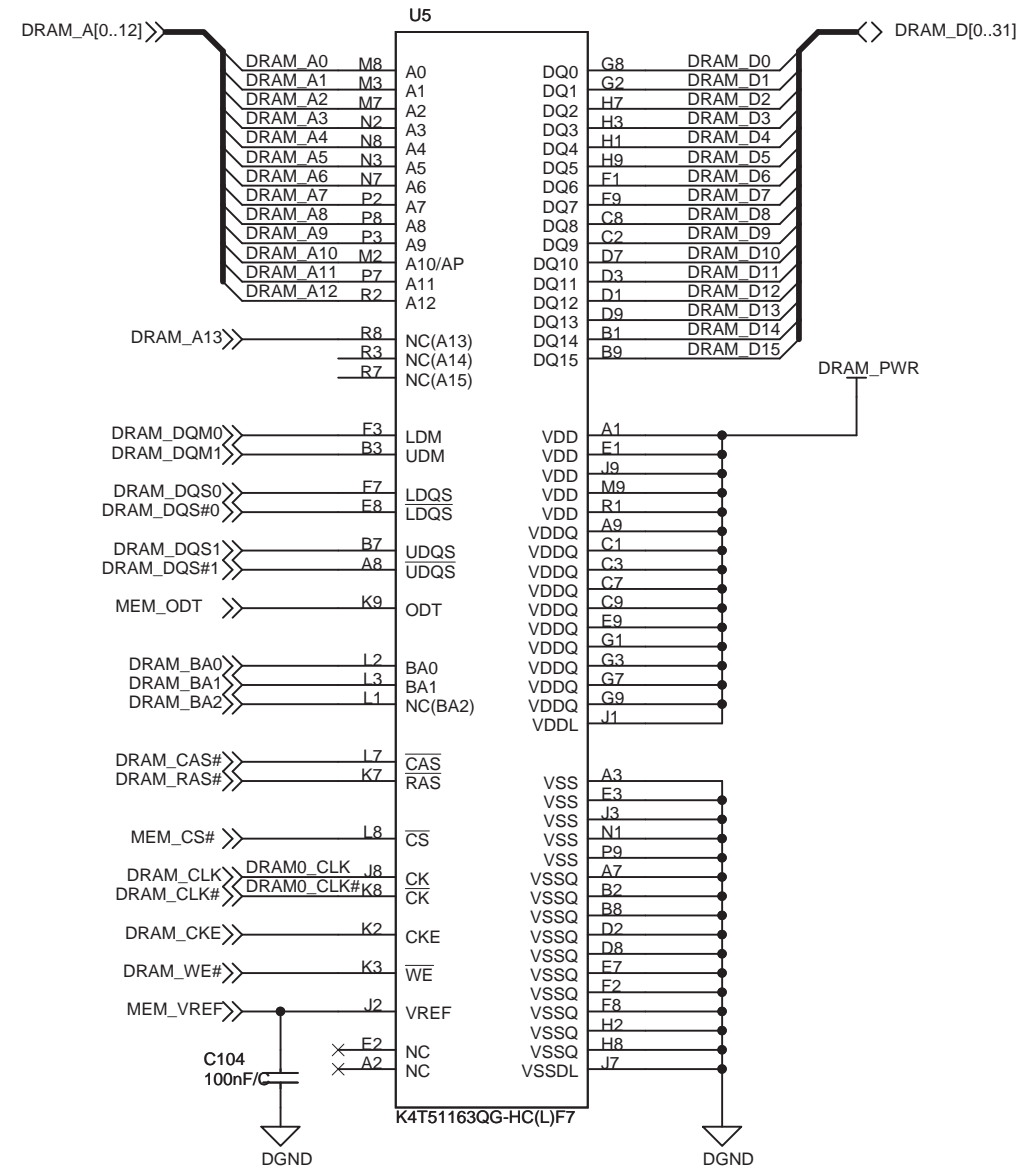
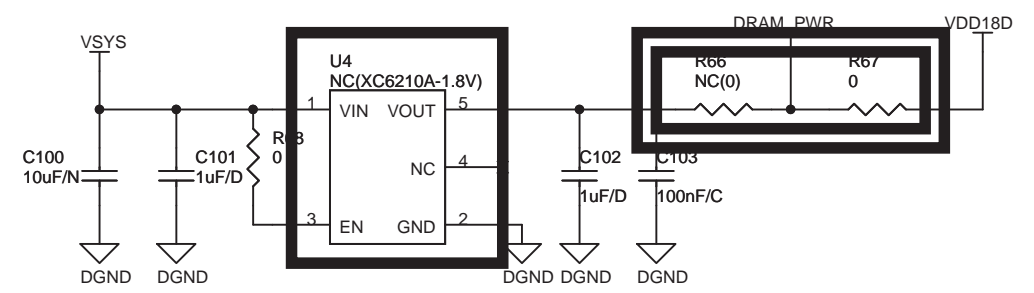
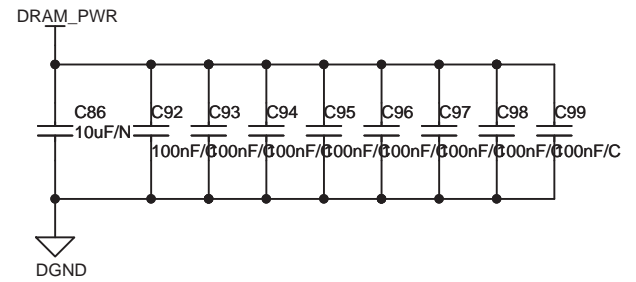
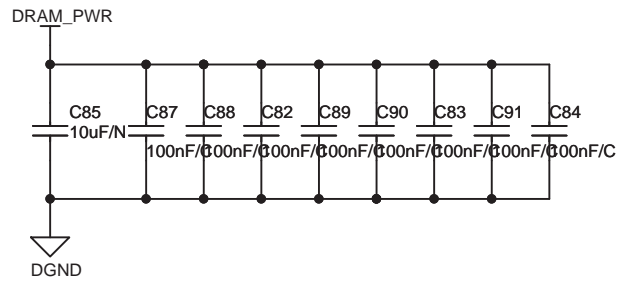
TCC8902

DRAM



HDMI



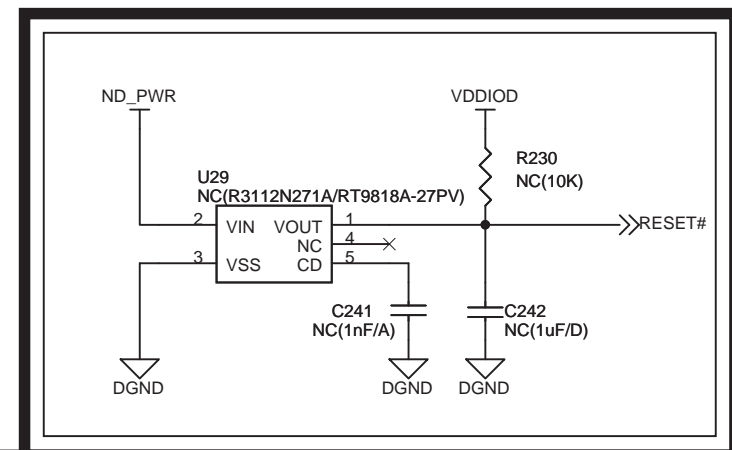
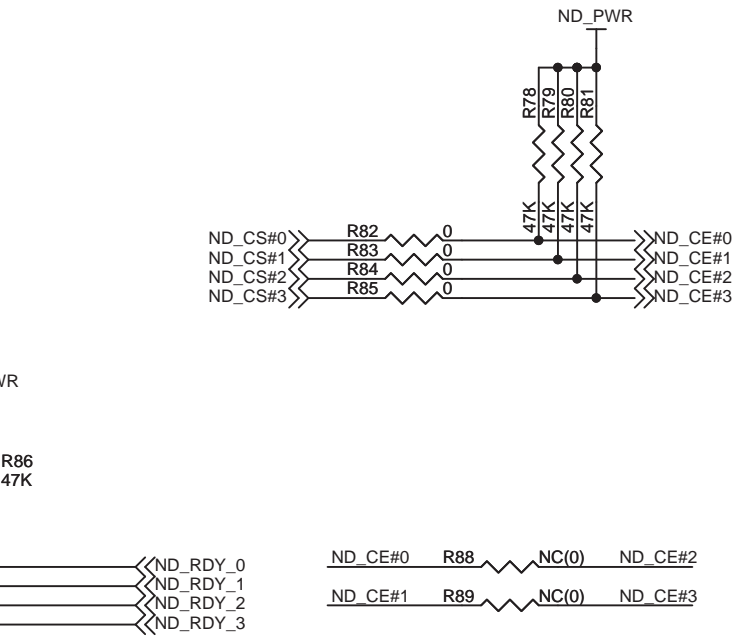
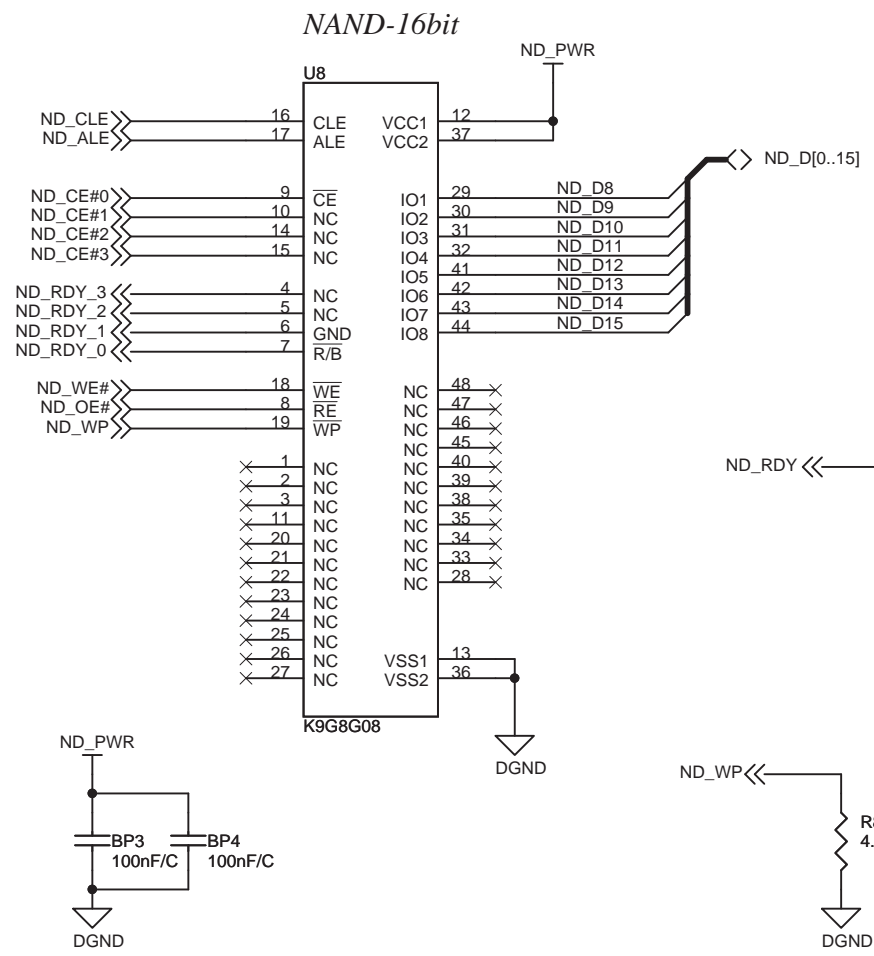
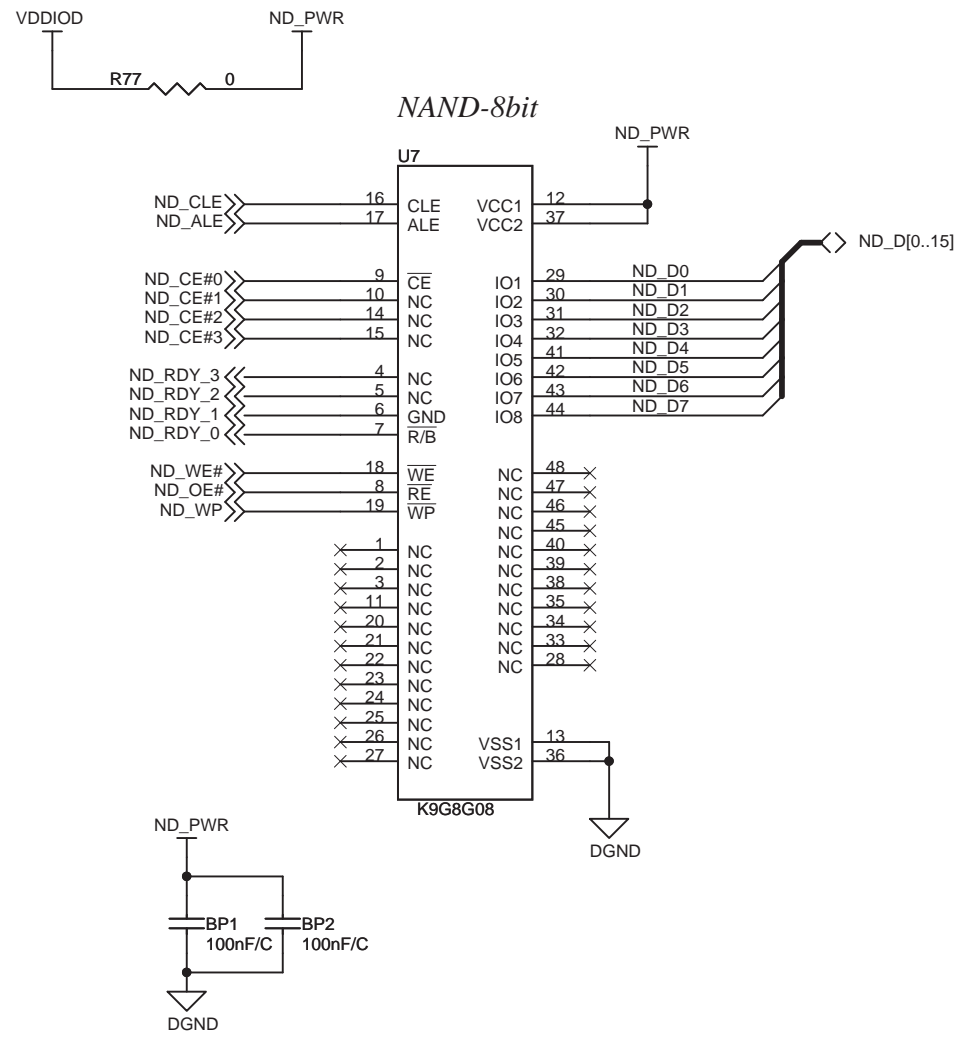


Do NOT omit [R74/R75] in design. These parts are subject for signal quality improvement.

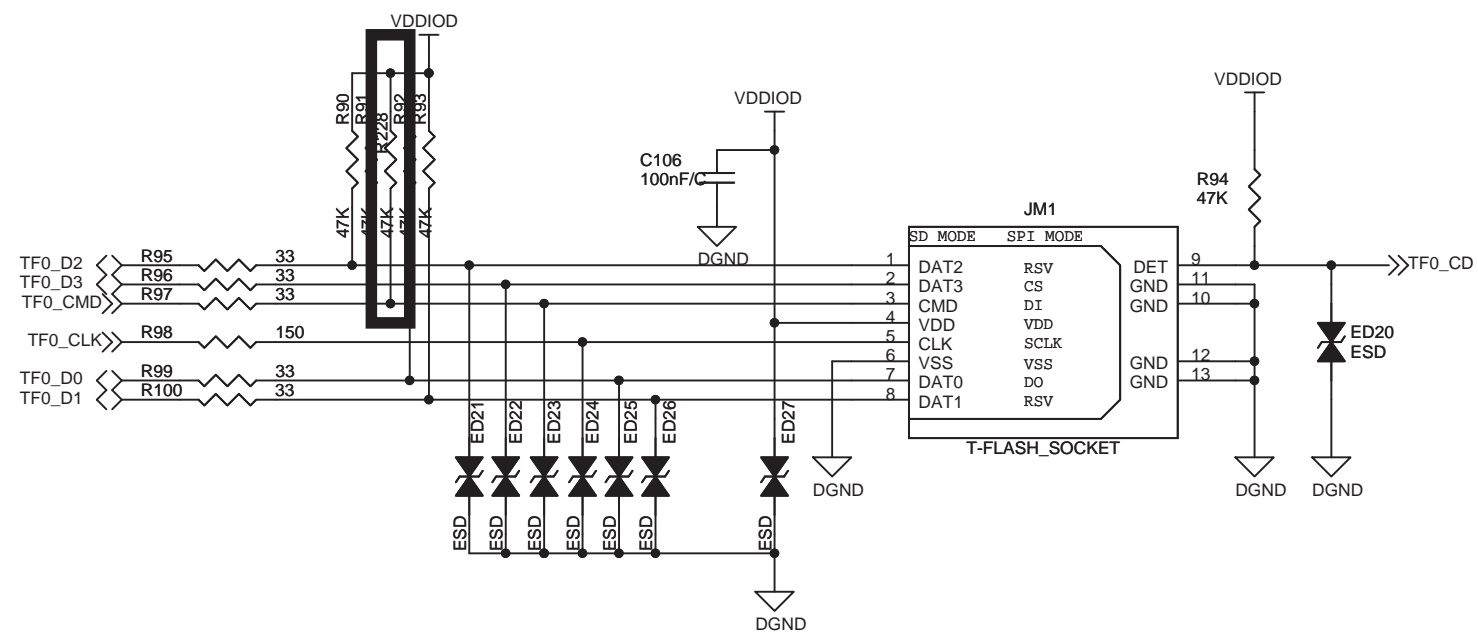
* Place these parts to "DRAM" as close as possible

Title		
M57TE		
Size	Document Number	Rev
A3	DRAM	V1.4
Date:	Friday, March 04, 2011	Sheet 4 of 9

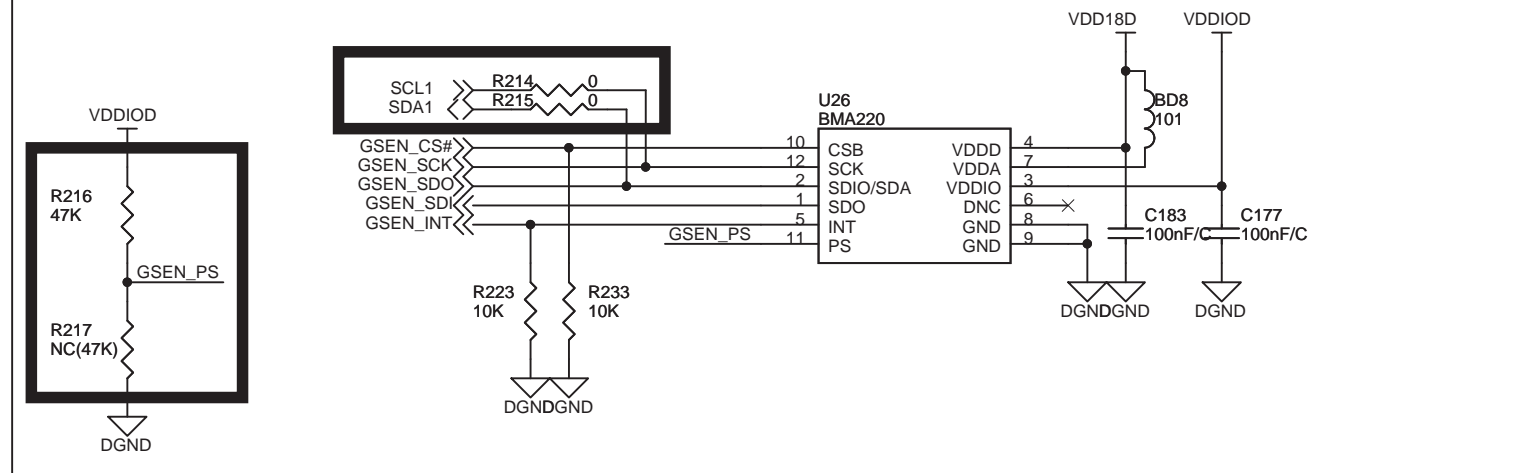
NAND

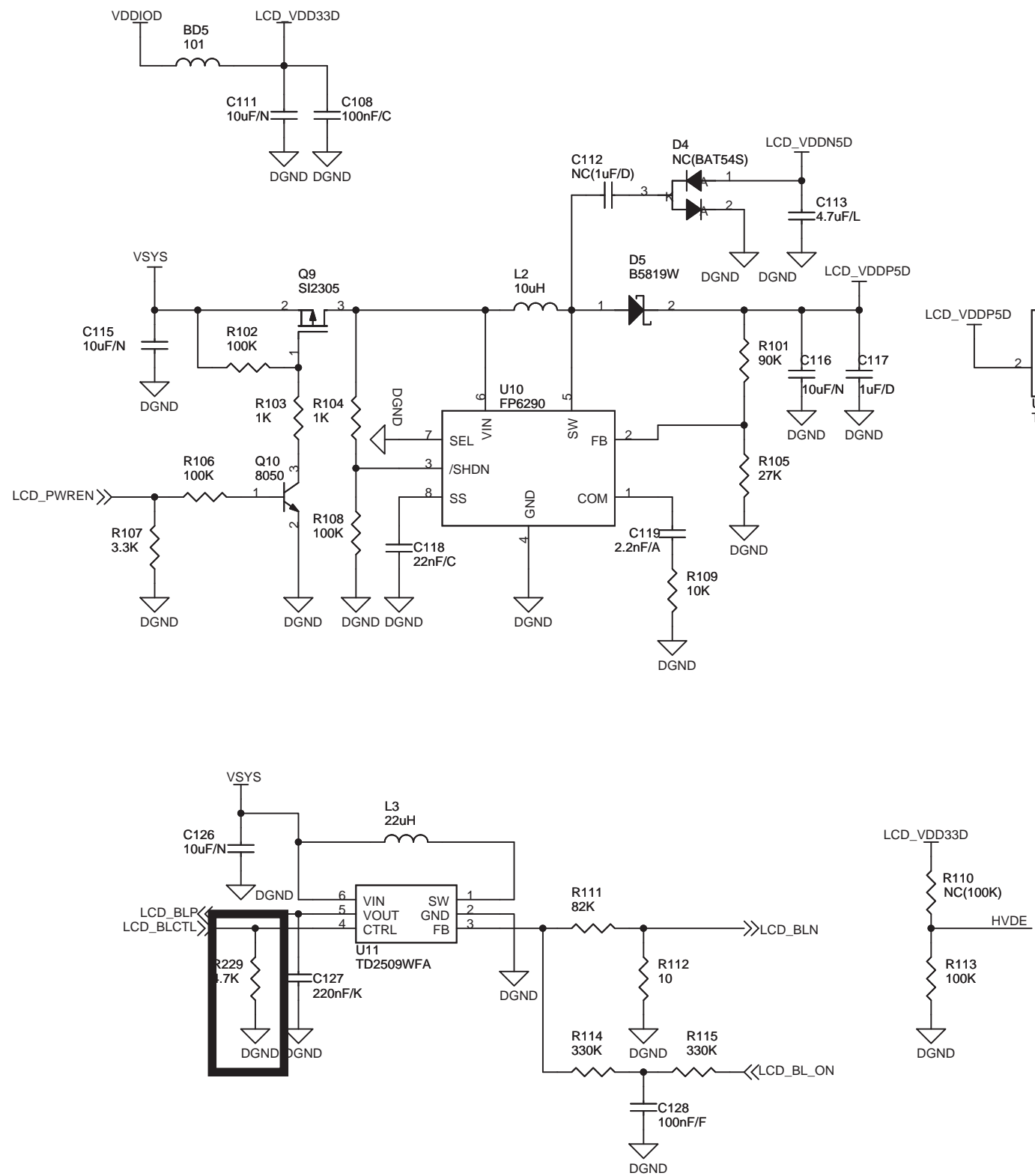


T-FLASH

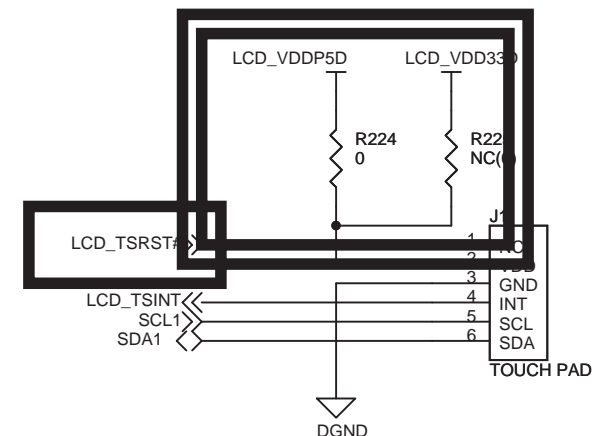
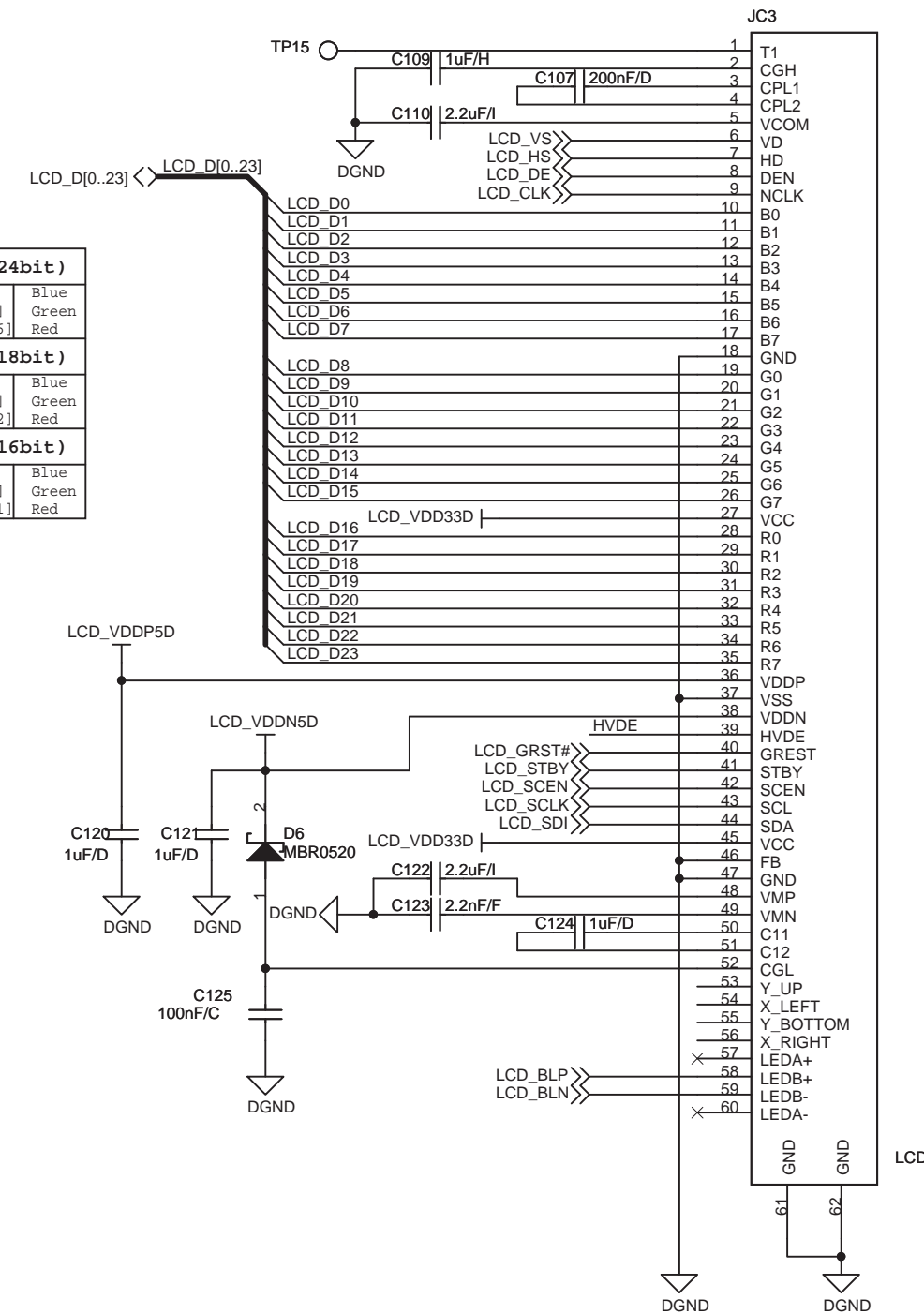


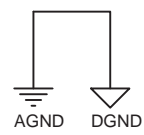
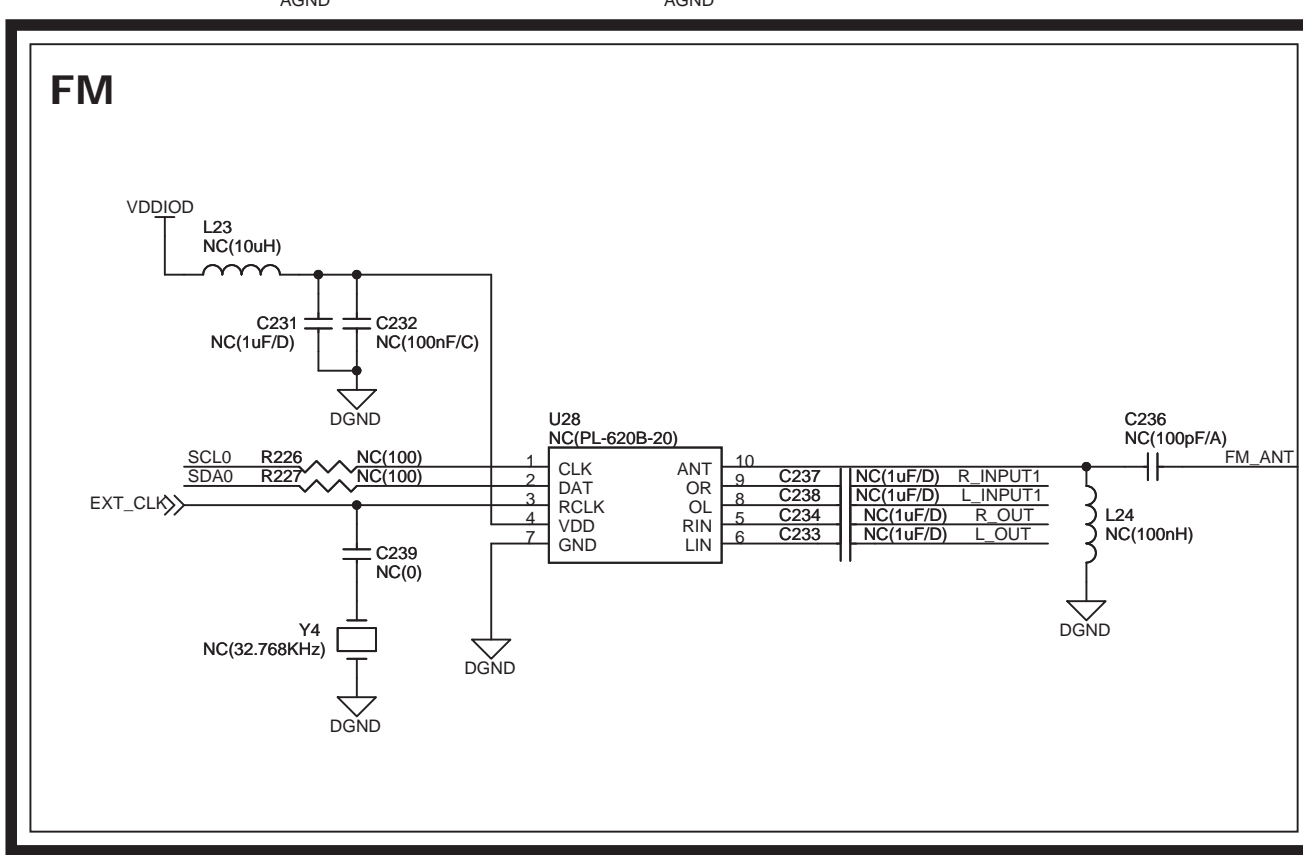
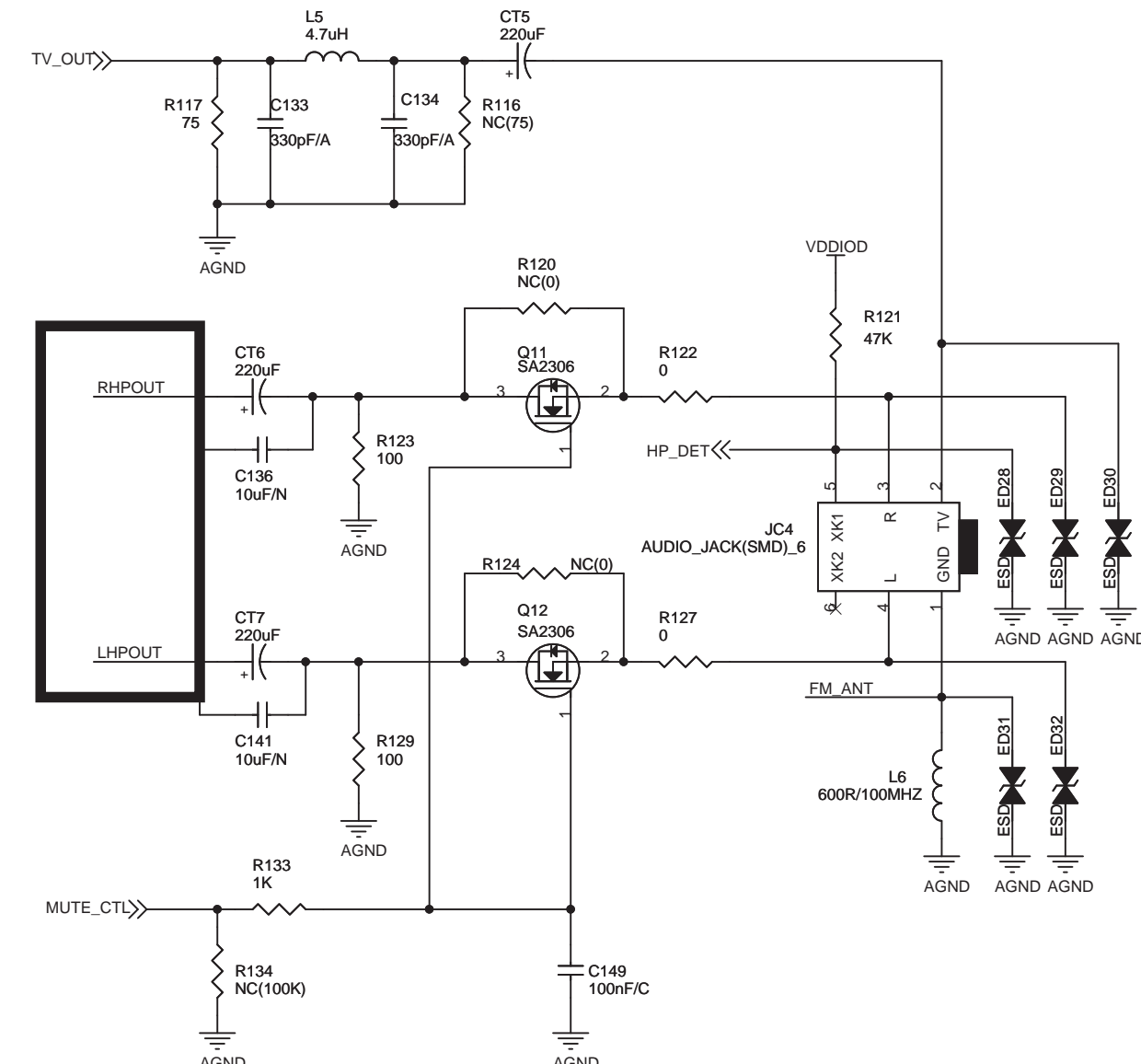
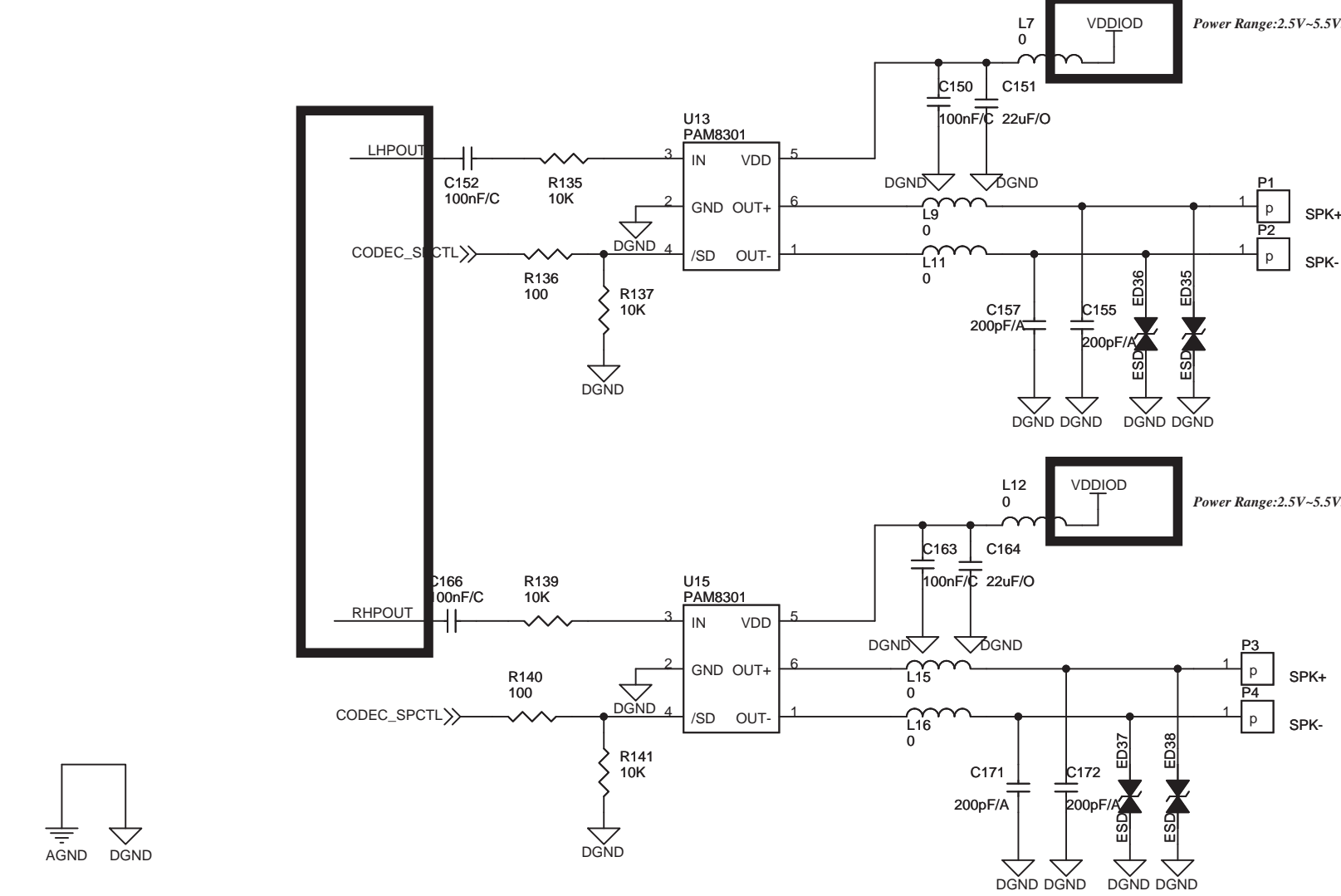
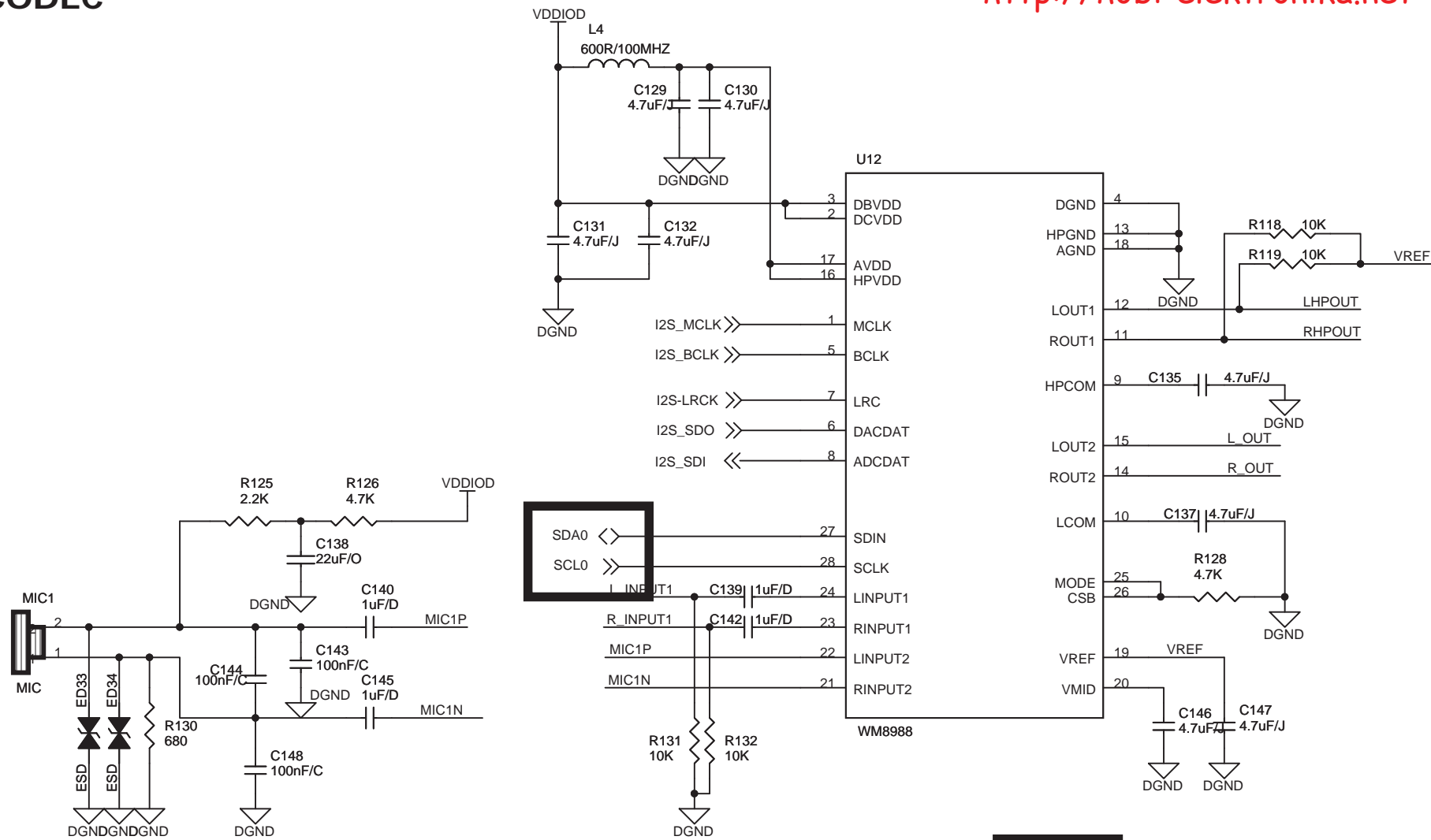
G-SENSOR

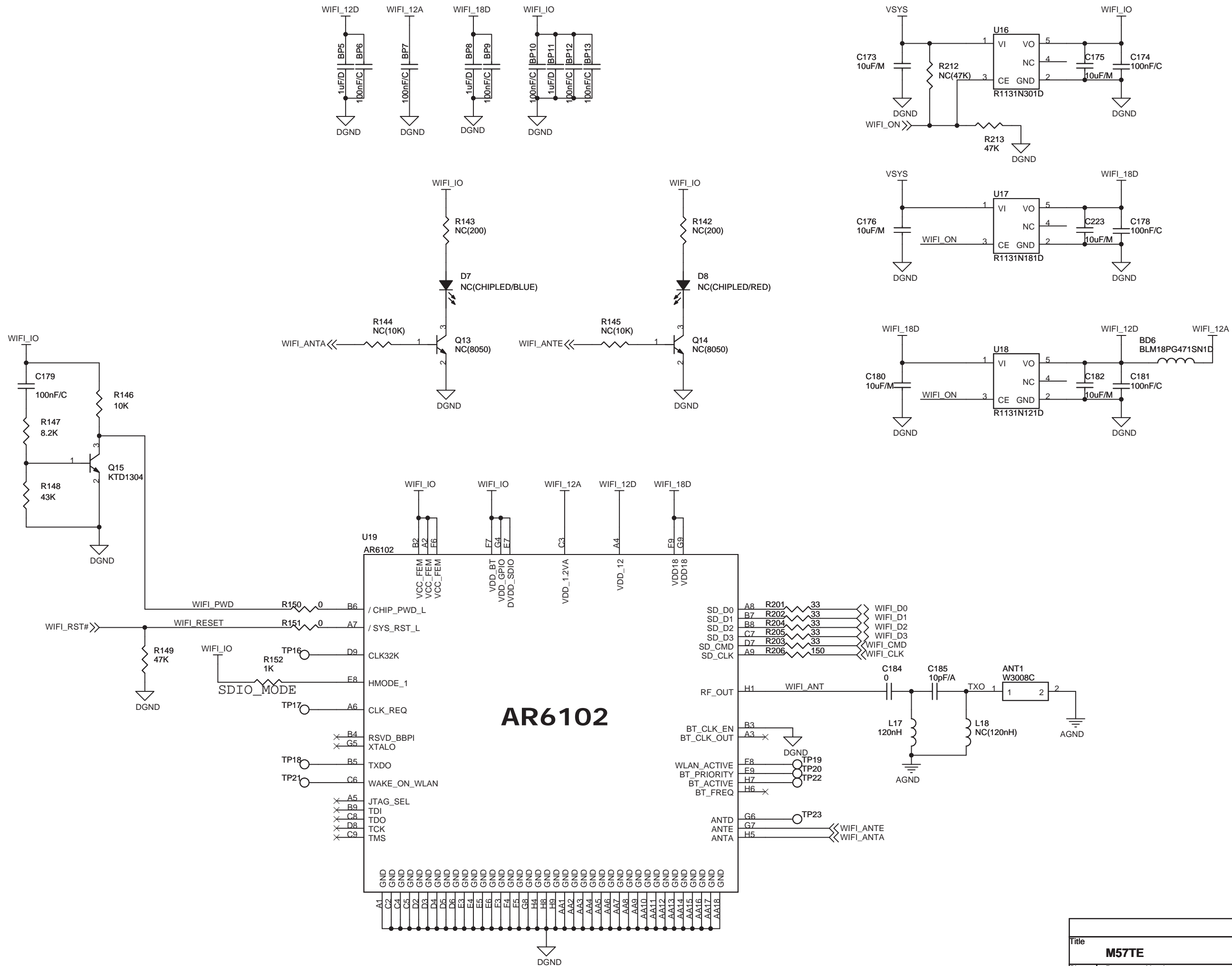




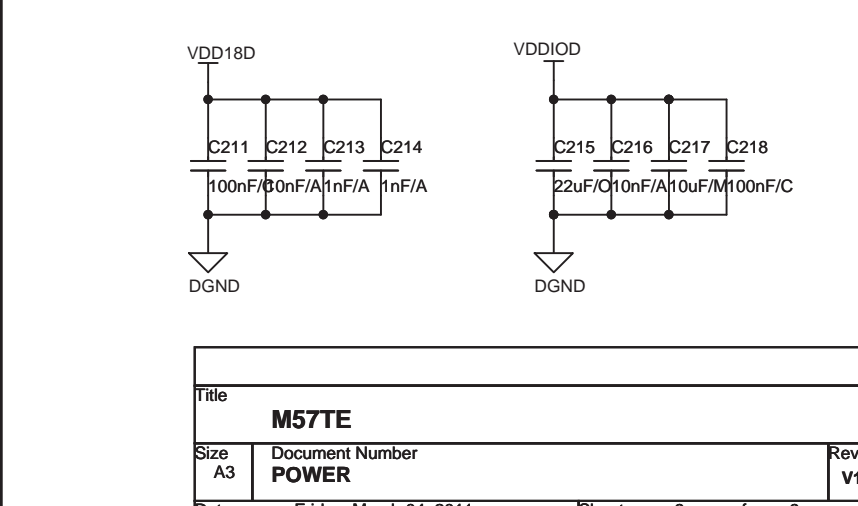
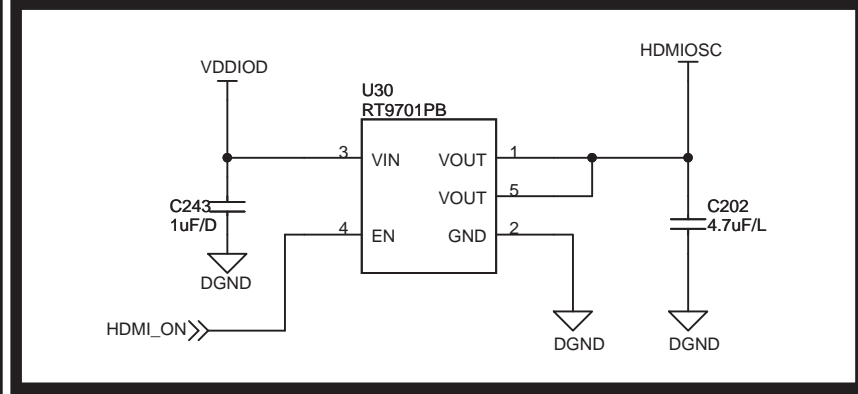
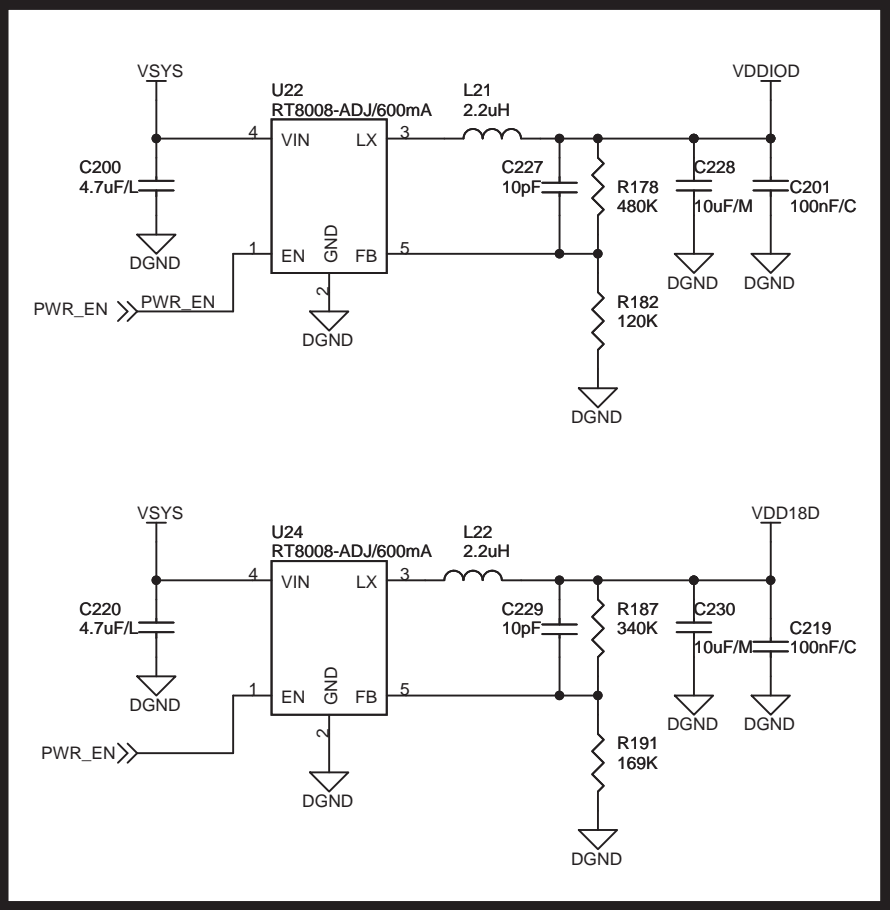
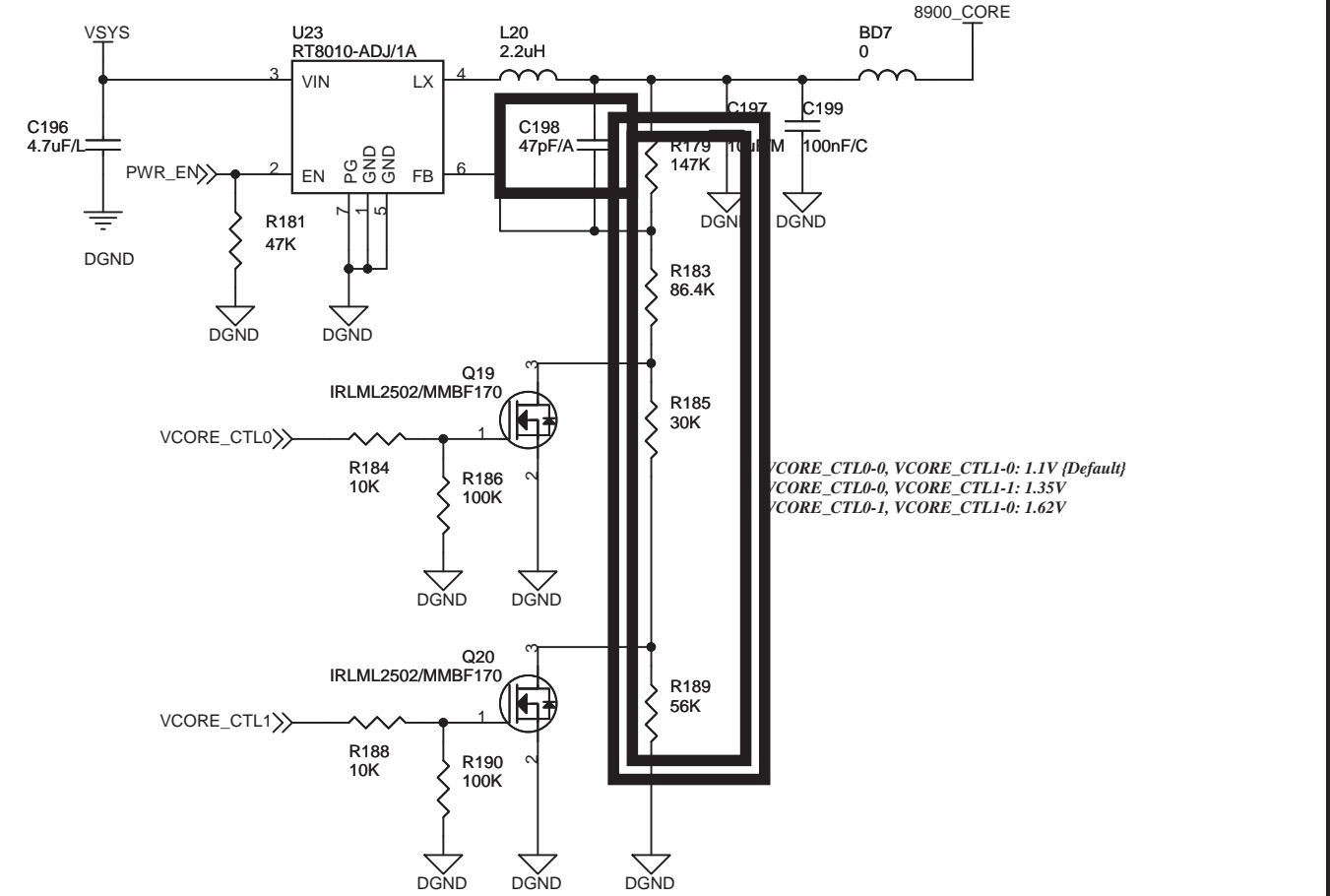
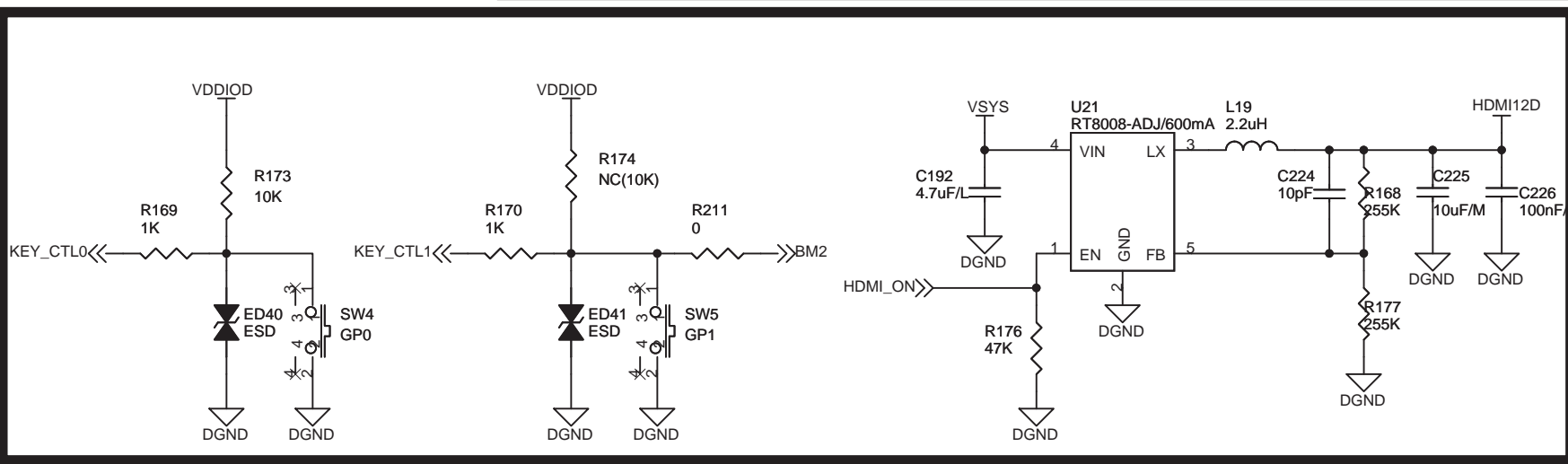
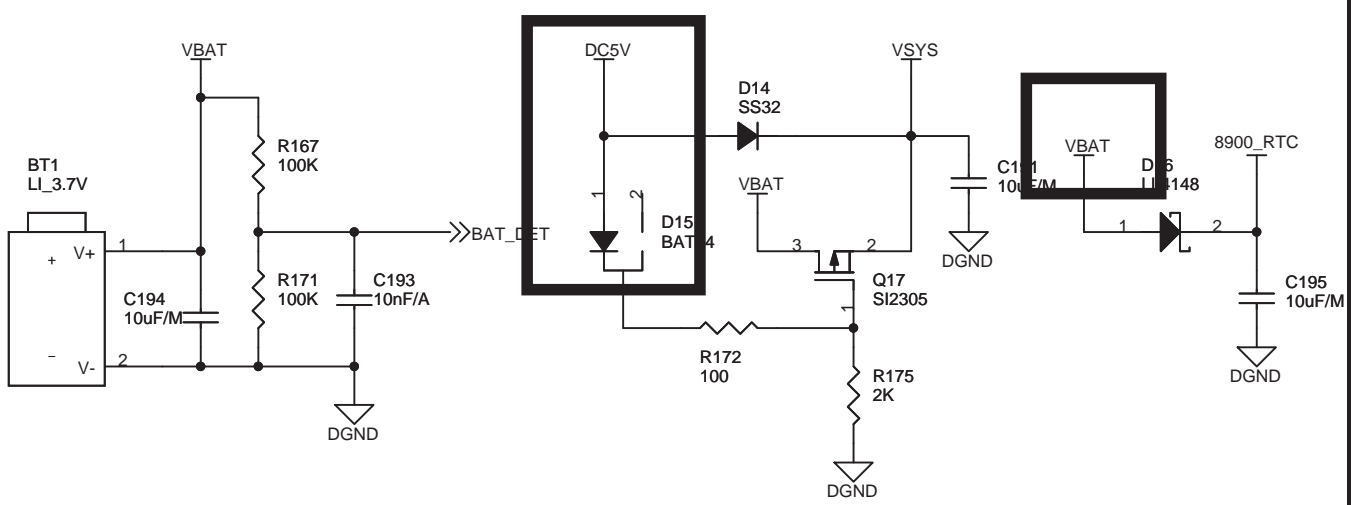
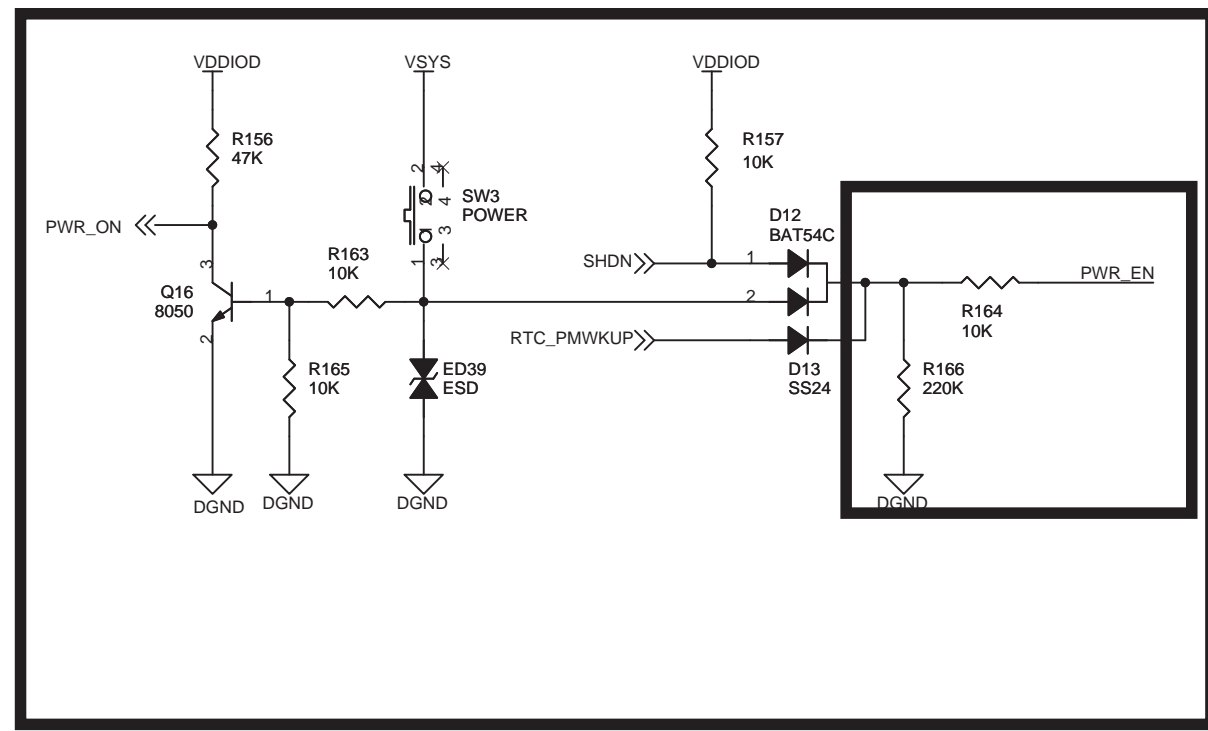
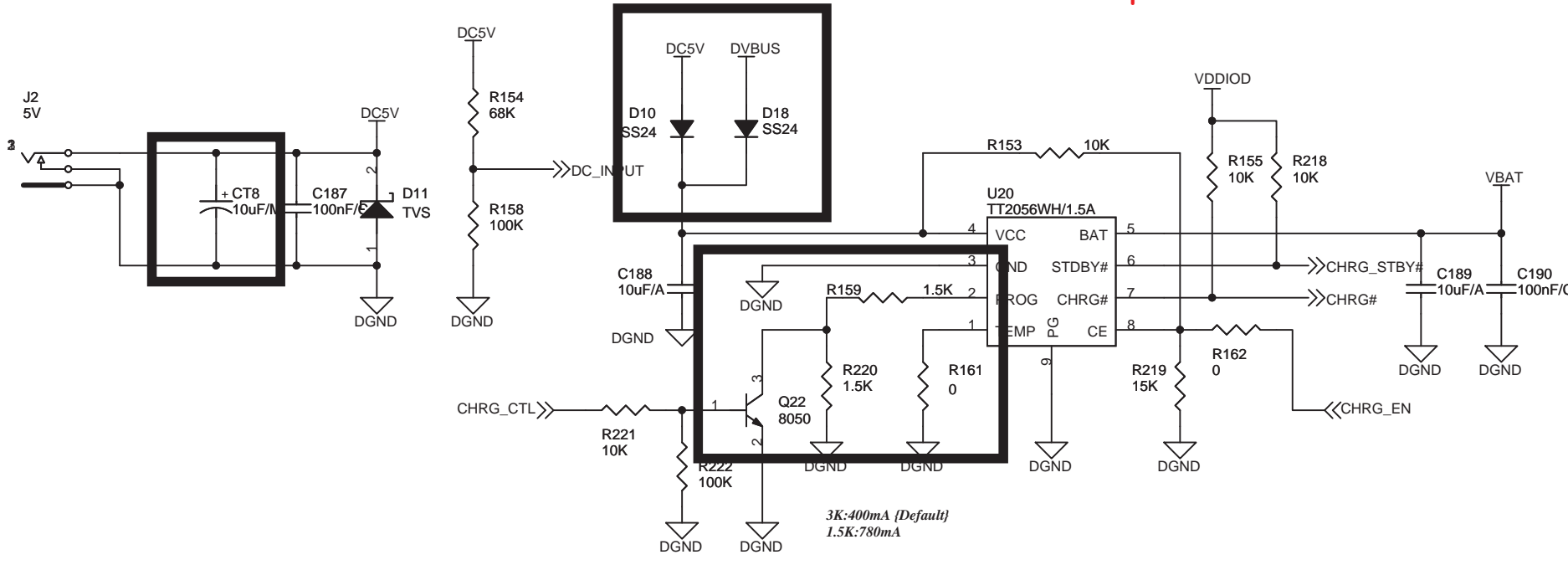
RGB888 (24bit)		
LPD[7:0]	Blue	
LPD[15:8]	Green	
LPD[23:16]	Red	
RGB666 (18bit)		
LPD[5:0]	Blue	
LPD[11:6]	Green	
LPD[17:12]	Red	
RGB565 (16bit)		
LPD[4:0]	Blue	
LPD[10:5]	Green	
LPD[15:11]	Red	







Title		
M57TE		
Size	Document Number	Rev
A3	WIFI	V1.4
Date:	Friday, March 04, 2011	Sheet 8 of 9



Title		
M57TE		
Size	Document Number	Rev
A3	POWER	V1.4
Date:	Friday, March 04, 2011	Sheet 9 of 9